

BVSS DUAL PATTERN SAE 4-BOLT BV, C.61 & 62

Replaces expensive and long-delivery foreign valves
6000 PSI ~ Sizes from ½" to 2"



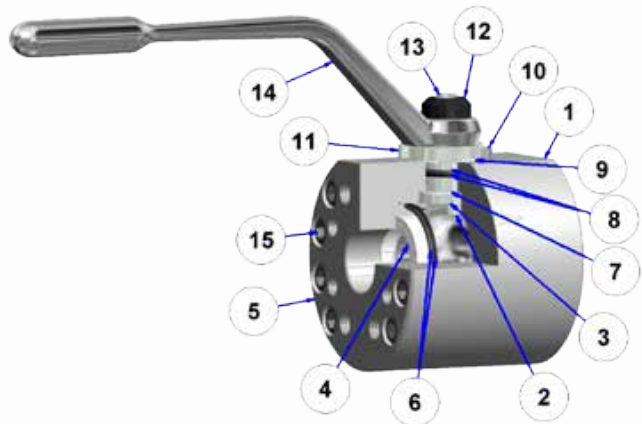
DMIC **BVSS** economically covers all the bases in SAE 4-Bolt C.61 & 62 Flange connections. This is the valve to stock if you can only keep one model, and it can bridge dissimilar flange standards.

- **Spindle-Glide Design** features low torque, high duty cycle durability
- **Delrin Ball Seals** and Buna-N standard elastomer seals, with all DMIC sealing options available for wide fluid and temperature compatibility range
- **Unrestricted bore ball** reduces pressure drop
- **Available in Stainless Steel - Fast Delivery**

Service Parts BOM

BVSS	SERVICE PARTS BOM	
Index	Qty	Description
1	1	Valve Body
2	1	Ball
3	1	Spindle
4	2	Ball Seal
5	1	End Connection
6	1	End Connection O-Rings
7	1	Internal Thrust Washer
8	1	Spindle O-Rings
9	1	External Glide Washer
10	1	Stop Pin
11	1	Stop Washer
12	1	Color Code Cap
13	1	Top Cap Screw
14	1	Handle
15	*	End Connection Bolts

* - Quantity depends on size and combination of body



www.dmic.com
DMIC BALL VALVES CATALOG
COPYRIGHT ©2012 DELAWARE MFG.

DBV-1301A
PAGE 96

CALL TOLL FREE 1-800-248-3642
IN CANADA 1-800-320-3642



BVSS DUAL PATTERN SAE 4-BOLT BV, C.61 & 62

Fixed SAE Flange Ball Order Codes

GROUP I: LOCKING HANDLES & LIMIT SWITCH BRACKETS

Z.....Zero Accessory ("none")
 A.....Locking Handle
 B.....Security Locking Handle
 C/D...Limit Sw Brkt, Single/Dual
 E/F...Locking LimSw Brkt, Single/Dual
 G/H...Security Locking LSB, Single/Dual
 I/J...Limit Sw Brkt, Single/Dual w/Switch
 K/L...Locking LSB, Single/Dual w/Switch
 M/N...Security LLSB, Single/Dual w/Switch

*See page 14 for
accessory codes*

Valve Series	
Code	Port Size
BVSS	SAE Dual C.61/62

Size	
Code	Port Size
05	½"
07	¾"
10	1"
12	1¼"
15	1½"
20	2"

Connection Type	
Code	Description
FK	Dual SAE C.61/62 (Standard on BVSS)

Body Material	
Code	Description
1	Carbon Steel
2	Stainless Steel

Ball & Stem Mat'l	
Code	Description
1	Carbon Steel
2	Stainless Steel
6	416 Stainless Spindle 316 Stainless Ball

Ball Seal Material	
Code	Description
1	Delrin
2	PTFE Teflon (1500 PSI MAX)
4	High Temp PEEK
6	Ultra Low Friction
7	Glass Reinforced Teflon

O-Ring Seals	
Code	Description
1	Buna-N
2	EPR
3	Viton
4	Peek
5	Chemraz

GROUP II: MOUNTING & PREP

Z: Zero Accessory ("none")
 B: Bottom Mounting Holes
 G: Panel Mounting Holes

GROUP III: ACTUATION

Please consult factory for a customized actuated Ball Valve quotation. Codes A-L for Double Acting, codes M-X for Spring Return

**GROUP V:
MOUNTING BRKTS**
Call Factory for application assistance

**GROUP VI:
SURFACE FINISH**
Call Factory for available surface

BVSS - 20 - FK - 1 1 1 1 - A Z Z A * *

Note: Changes from Standard Materials may result in changes to temperature and/or pressure rating.
 Due to our policy of continual product improvement, the specifications in this catalog may change without notice. When designing by spec, please request a certified print.



www.dmic.com
 DMIC BALL VALVES CATALOG
 COPYRIGHT ©2012 DELAWARE MFG.

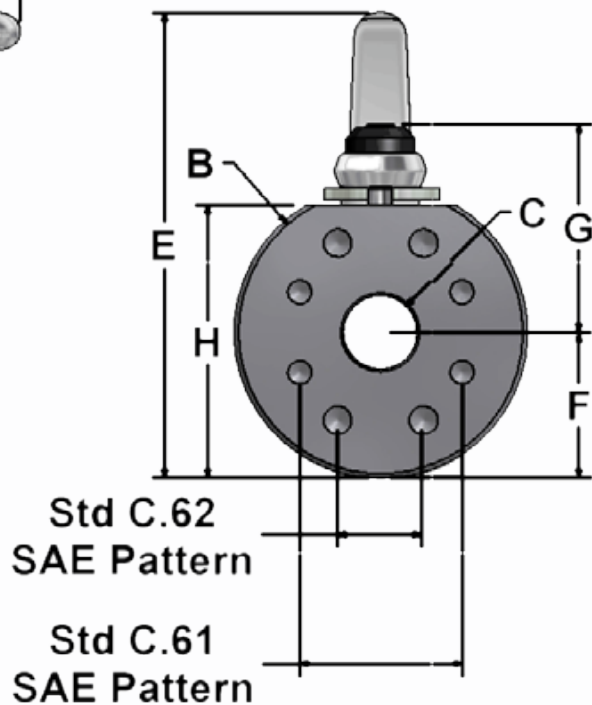
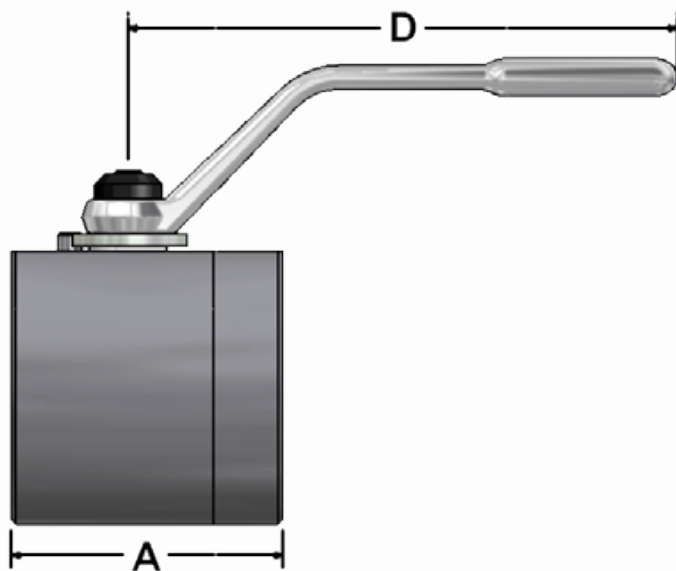
DBV-1301A
 PAGE 97

CALL TOLL FREE 1-800-248-3642
 IN CANADA 1-800-320-3642



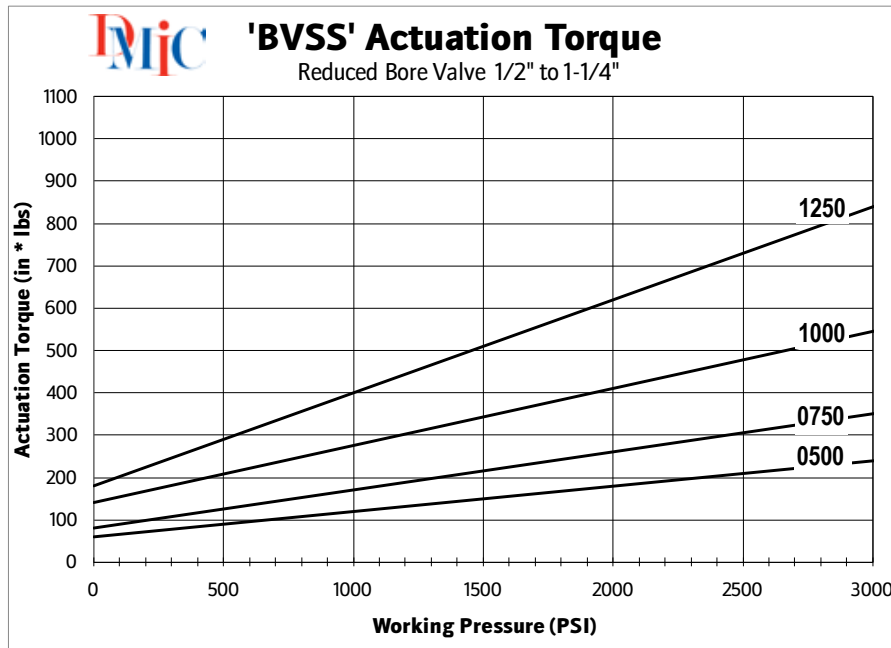
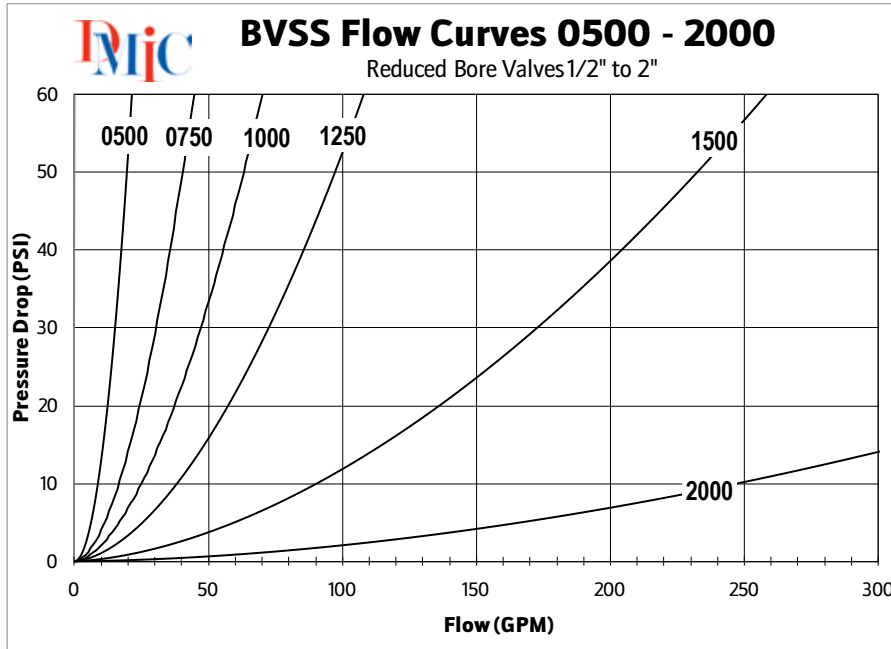
BVSS DUAL PATTERN SAE 4-BOLT BV, C.61 & 62

BVSS	Dimensions (inches)									
	Port Size	PSI Rating	A	B	Øc	D	E	F	G	H
			Valve Length	Valve Width	Valve Bore	Handle Length	Overall Height	Bot to Port Ctr	Port Ctr to Top	Valve Height
BVSS-05FK****	½"	C.61 3000 / C.62 6000	2.30	2.75	0.50	4.50	4.15	1.38	1.94	2.53
BVSS-07FK****	¾"		3.15	3.50	0.75	7.00	5.73	1.75	2.55	3.26
BVSS-10FK****	1"		3.46	3.75	0.94	7.00	5.96	1.88	2.65	3.48
BVSS-12FK****	1¼"		3.94	4.44	1.25	9.86	7.38	2.22	3.29	4.18
BVSS-15FK****	1½"		4.48	5.00	1.50	9.86	7.96	2.50	3.59	4.77
BVSS-20FK****	2"		4.57	6.00	1.88	9.86	8.79	3.00	3.92	5.60



BVSS DUAL PATTERN SAE 4-BOLT BV, C.61 & 62

Flow Characteristic and Actuation Torque Curves



Due to our policy of continual product improvement, the specifications in this catalog may change without notice. When designing by spec, please request a certified print.



www.dmic.com
DMIC BALL VALVES CATALOG
COPYRIGHT ©2012 DELAWARE MFG.

DBV-1301A
PAGE 99

CALL TOLL FREE 1-800-248-3642
IN CANADA 1-800-320-3642

